

State of Wyoming Corner Record

(In compliance with the **CORNER PERPETUATION AND FILING ACT**, Wyoming Statutes, 1977 Section 36-11-101, et. seq., and the Rules and Regulations of the Board of Professional Engineers and Professional Land Surveyors)

Reverse side of this form may be used if more space is needed.

Record of original survey and citation of source of historical information (if corner is lost or obliterated). Description of corner monumentation evidence found and/or monument and accessories established to perpetuate the location of this corner. Sketch of relative location of monument, accessories, and reference points with course and distance to adjacent corner(s) (if determined in this survey). Method and rationale for reestablishment of lost or obliterated corner.

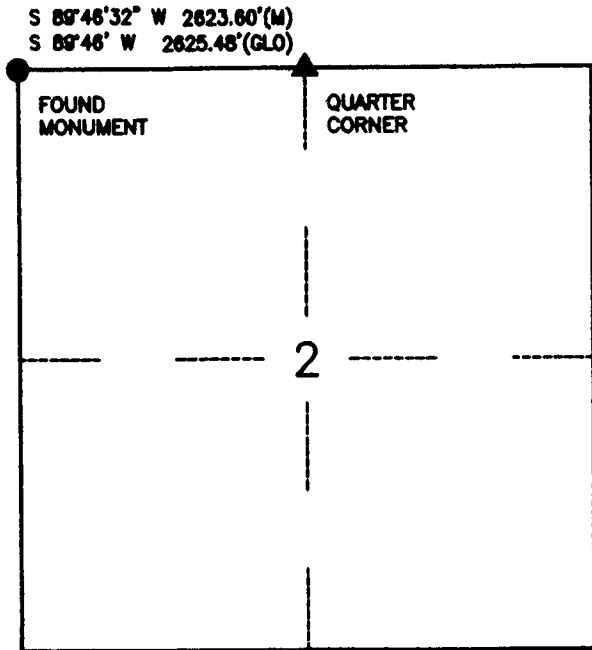
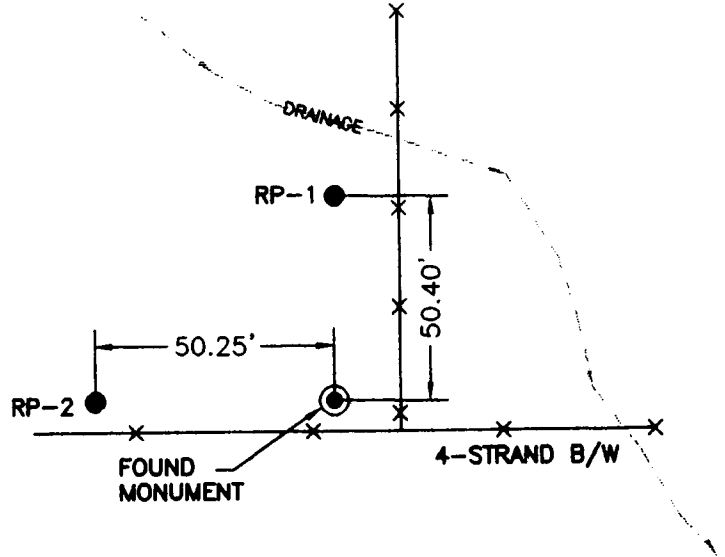
FOUND: 3" BRASS CAP ON IRON PIPE APPROPRIATELY STAMPED. SEE MONUMENT INSCRIPTION.

GLO RECORD: SET AN IRON POST 3 FT. LONG 1 IN. DIA. 27 INS. IN THE GROUND FOR THE COR. OF SECS. 2, 3, 34, 35, WITH BRASS CAP.

SET: NONE

REFERENCES: 2 - 5/8" DIA. BY 24" LONG REBAR WITH 1 1/2" ALUMINUM CAP STAMPED RP-1, RP-2, PLS 566

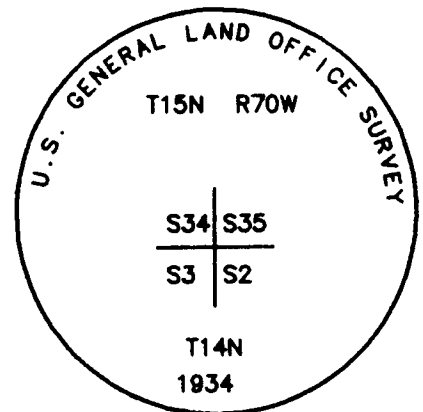
Reference Locations



Monument Location



Monument Inscription



Date of Field Work: 2/16/99

Office Reference: 3174

Cross Index Plat

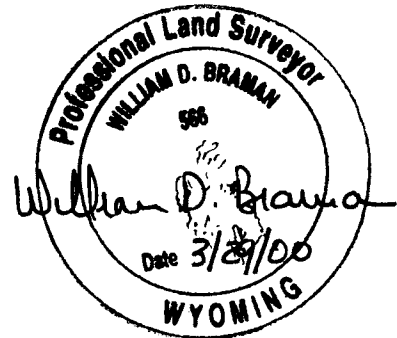
| | | | | | | | | | | | | | | | | | | | | | | | | | |
|---|---|----|---|----|---|----|---|----|---|----|----|----|----|----|----|----|----|----|----|----|----|----|----|----|----|
| | 1 | 2 | 3 | 4 | 5 | 6 | 7 | 8 | 9 | 10 | 11 | 12 | 13 | 14 | 15 | 16 | 17 | 18 | 19 | 20 | 21 | 22 | 23 | 24 | 25 |
| A | + | + | + | + | + | + | + | + | + | + | + | + | + | + | + | + | + | + | + | + | + | + | + | + | + |
| B | + | + | + | + | + | + | + | + | + | + | + | + | + | + | + | + | + | + | + | + | + | + | + | + | + |
| C | + | 6 | + | 5 | + | 4 | + | 3 | + | 2 | + | 1 | + | + | + | + | + | + | + | + | + | + | + | + | |
| D | + | + | + | + | + | + | + | + | + | + | + | + | + | + | + | + | + | + | + | + | + | + | + | + | |
| E | + | + | + | + | + | + | + | + | + | + | + | + | + | + | + | + | + | + | + | + | + | + | + | + | |
| F | + | + | + | + | + | + | + | + | + | + | + | + | + | + | + | + | + | + | + | + | + | + | + | + | |
| G | + | 7 | + | 8 | + | 9 | + | 10 | + | 11 | + | 12 | + | + | + | + | + | + | + | + | + | + | + | + | |
| H | + | + | + | + | + | + | + | + | + | + | + | + | + | + | + | + | + | + | + | + | + | + | + | + | |
| J | + | + | + | + | + | + | + | + | + | + | + | + | + | + | + | + | + | + | + | + | + | + | + | + | |
| K | + | + | + | + | + | + | + | + | + | + | + | + | + | + | + | + | + | + | + | + | + | + | + | + | |
| L | + | 18 | + | 17 | + | 16 | + | 15 | + | 14 | + | 13 | + | + | + | + | + | + | + | + | + | + | + | + | |
| M | + | + | + | + | + | + | + | + | + | + | + | + | + | + | + | + | + | + | + | + | + | + | + | + | |
| N | + | + | + | + | + | + | + | + | + | + | + | + | + | + | + | + | + | + | + | + | + | + | + | + | |
| O | + | + | + | + | + | + | + | + | + | + | + | + | + | + | + | + | + | + | + | + | + | + | + | + | |
| P | + | 19 | + | 20 | + | 21 | + | 22 | + | 23 | + | 24 | + | + | + | + | + | + | + | + | + | + | + | + | |
| Q | + | + | + | + | + | + | + | + | + | + | + | + | + | + | + | + | + | + | + | + | + | + | + | + | |
| R | + | + | + | + | + | + | + | + | + | + | + | + | + | + | + | + | + | + | + | + | + | + | + | + | |
| S | + | + | + | + | + | + | + | + | + | + | + | + | + | + | + | + | + | + | + | + | + | + | + | + | |
| T | + | 30 | + | 29 | + | 28 | + | 27 | + | 26 | + | 25 | + | + | + | + | + | + | + | + | + | + | + | + | |
| U | + | + | + | + | + | + | + | + | + | + | + | + | + | + | + | + | + | + | + | + | + | + | + | + | |
| V | + | + | + | + | + | + | + | + | + | + | + | + | + | + | + | + | + | + | + | + | + | + | + | + | |
| W | + | + | + | + | + | + | + | + | + | + | + | + | + | + | + | + | + | + | + | + | + | + | + | + | |
| X | + | 31 | + | 32 | + | 33 | + | 34 | + | 35 | + | 36 | + | + | + | + | + | + | + | + | + | + | + | + | |
| Y | + | + | + | + | + | + | + | + | + | + | + | + | + | + | + | + | + | + | + | + | + | + | + | + | |
| Z | + | + | + | + | + | + | + | + | + | + | + | + | + | + | + | + | + | + | + | + | + | + | + | + | |

Firm/Agency, Address

INTERMOUNTAIN
PROFESSIONAL SERVICES
5801 OSAGE AVENUE
CHEYENNE, WYOMING 82009
Ph: (307) 632-3138
Fax: (307) 632-3194

This corner record was prepared by me or under my direction and supervision.

SEAL & SIGNATURE



RECORDED 3/31/2000 AT 10:05 AM REC# 271393 BK# 1550 PG# 633
DEBRA K. LATHROP, CLERK OF LARAMIE COUNTY, WY PAGE 1 OF 1

Corner Name SECTION CORNER Section 2, T 14 N, R 70 W, 6th P.M.
County: LARAMIE Wyoming

Cross-Index No: A-17